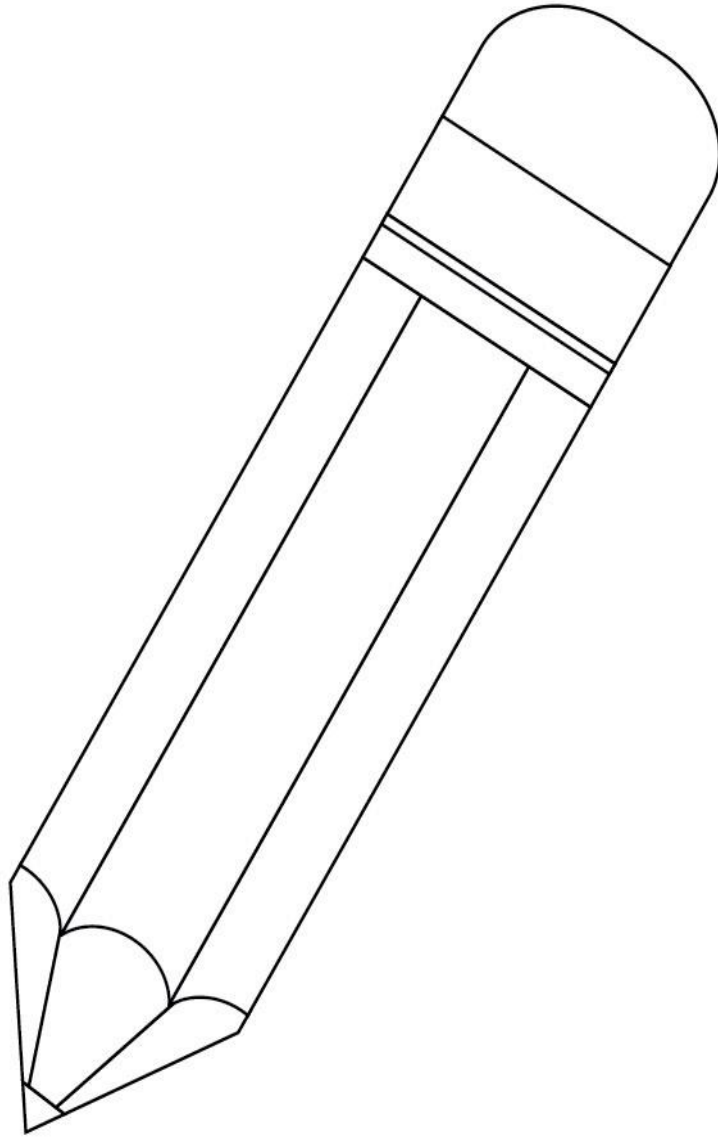


Name: _____



pencil

